

FIG.1

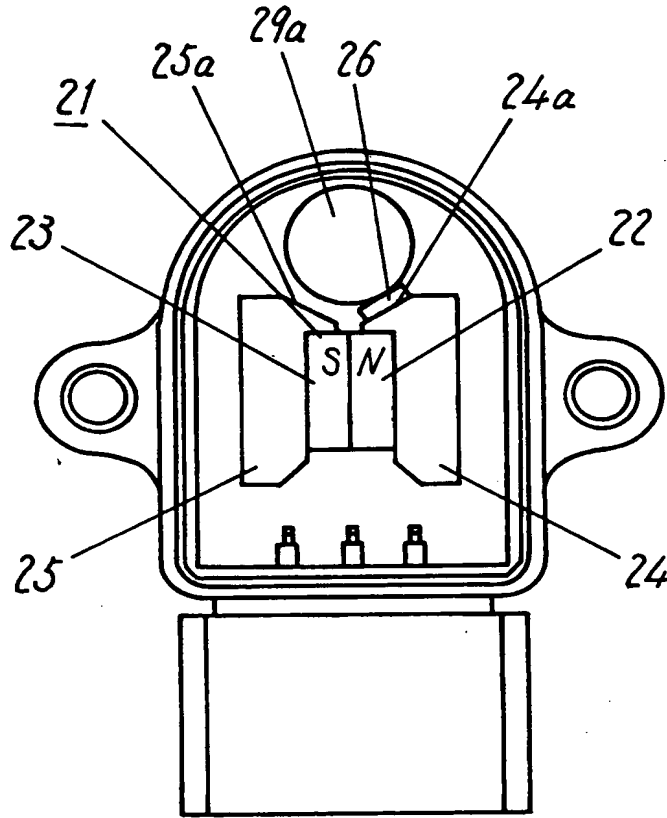
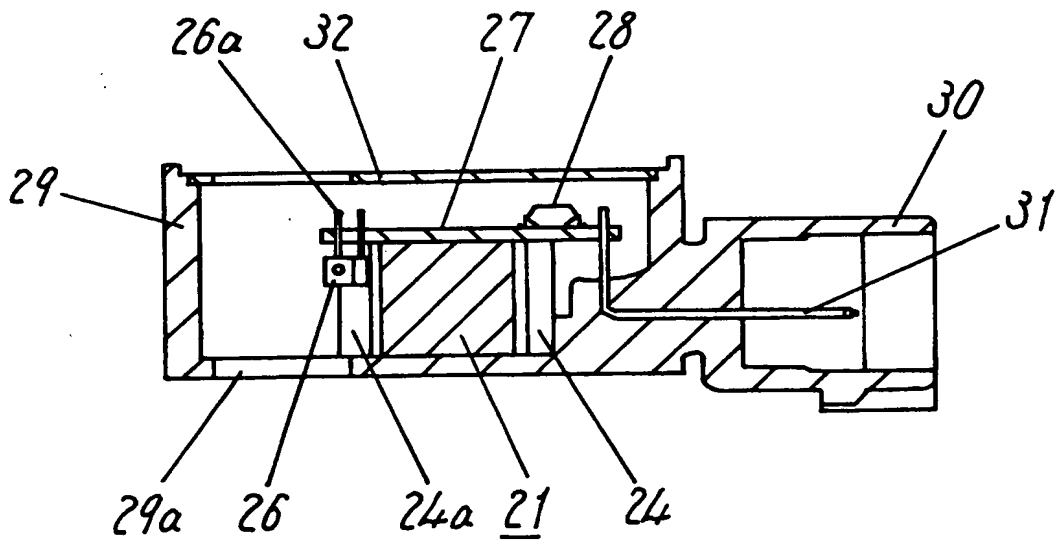


FIG.2



201050 20551560

FIG.3

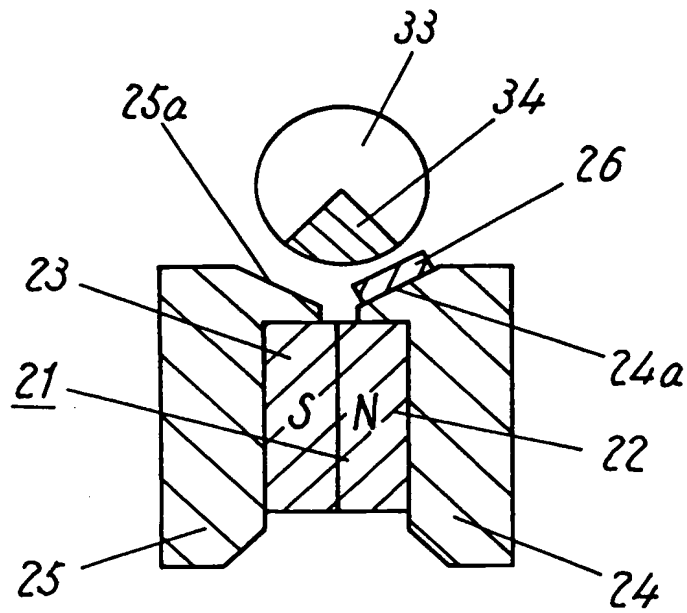


FIG.4(a)

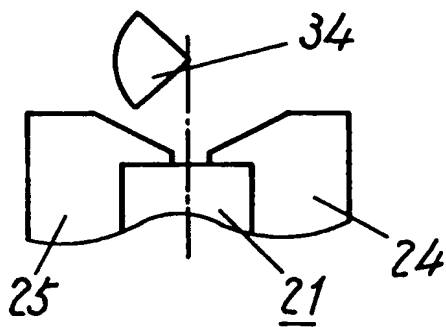
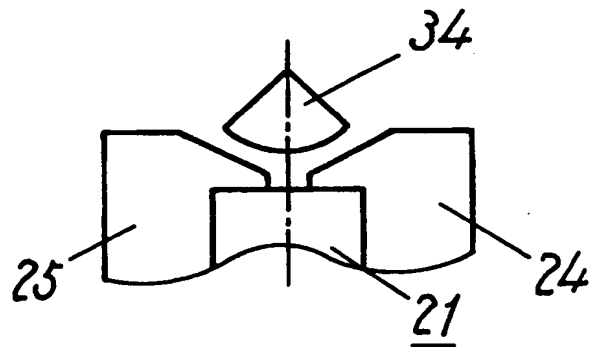


FIG.4(b)



2010050 20000000

FIG.5

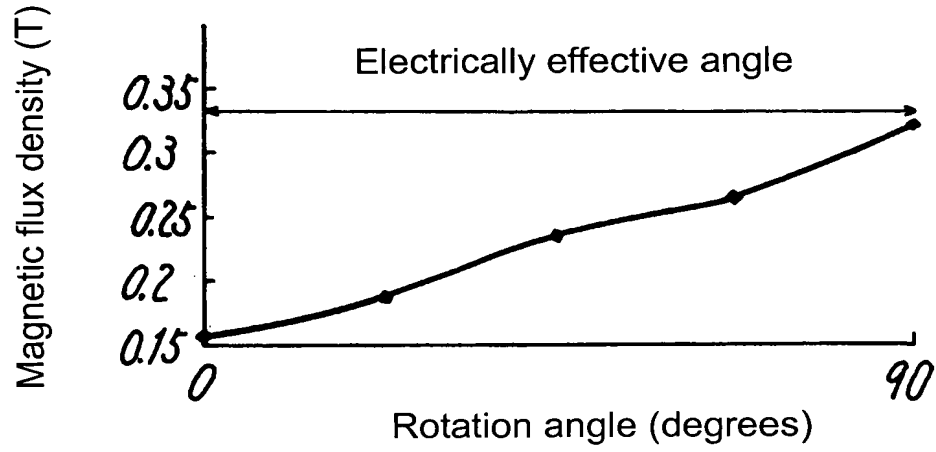
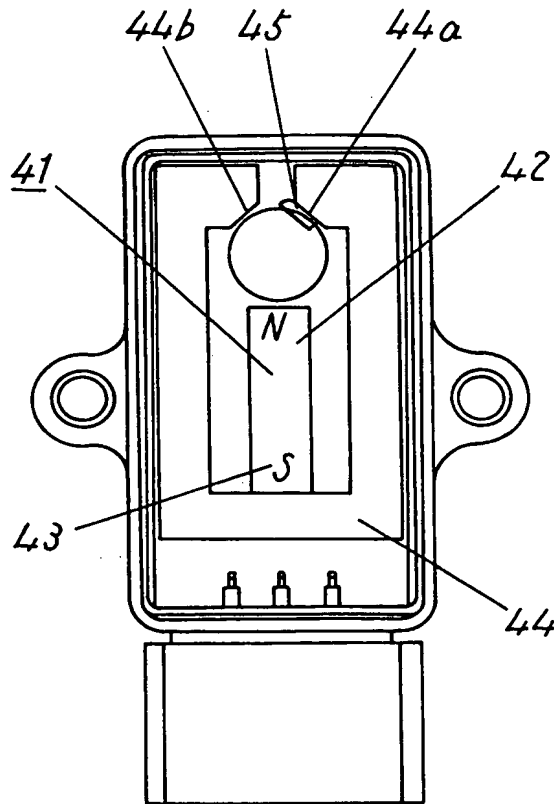


FIG.6



201050-2000000

FIG.7

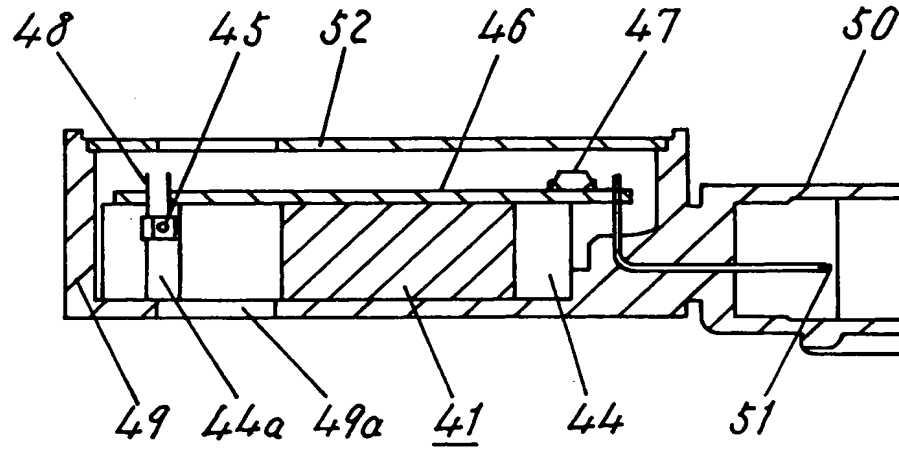
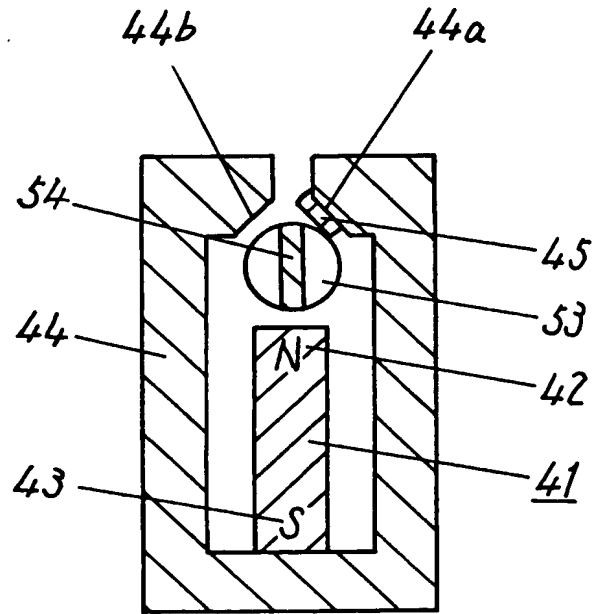


FIG.8



20250720 09:50:00

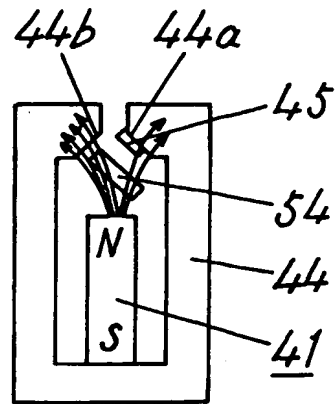


FIG.9(a)

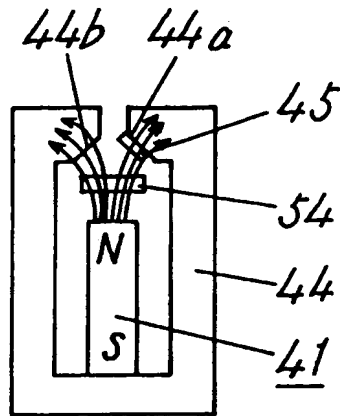


FIG.9(b)

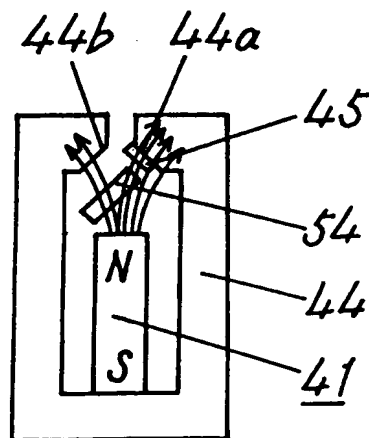
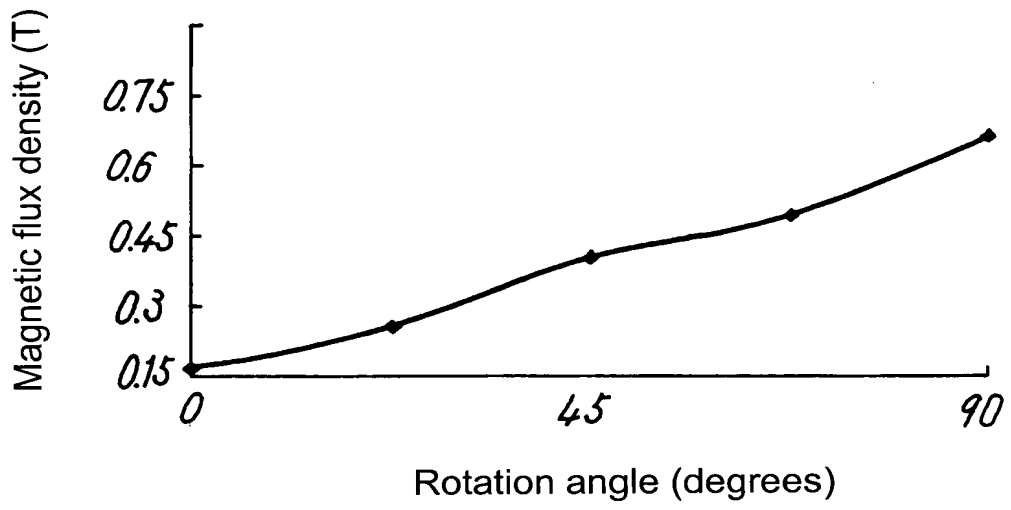


FIG.9(c)

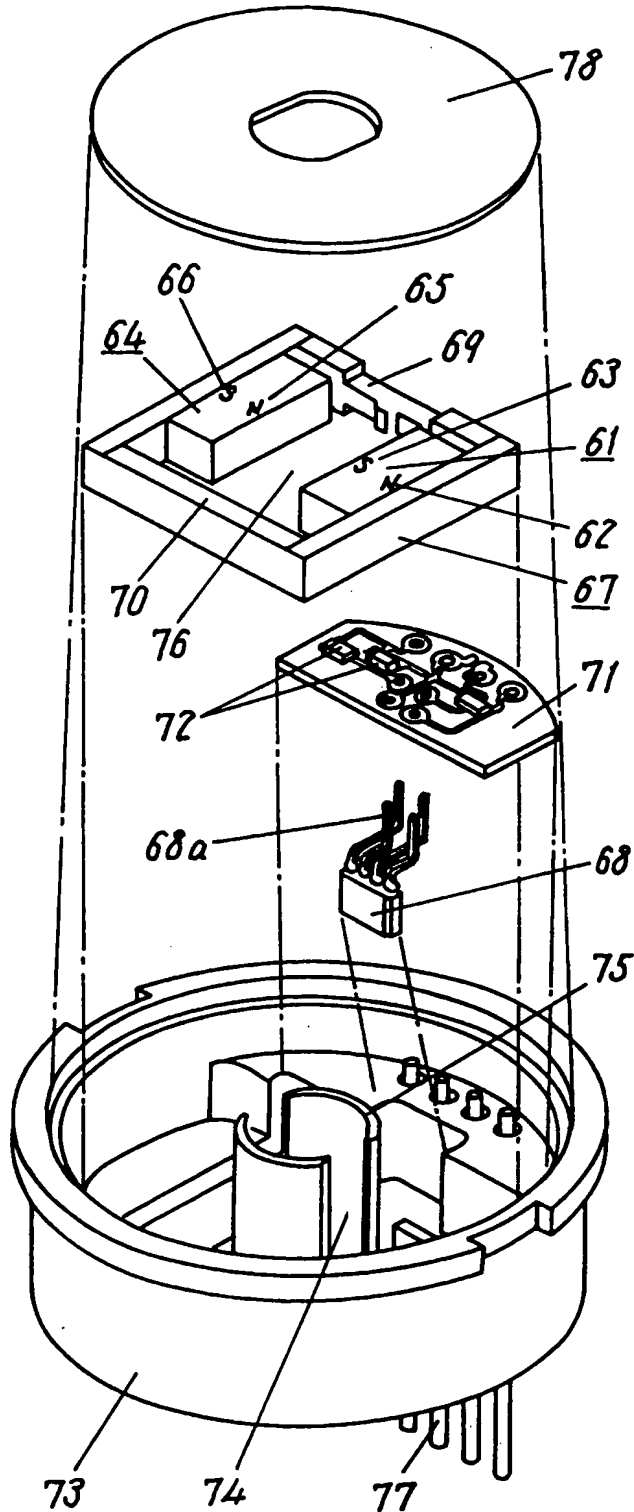
201050 23E1650

FIG.10



20250723 09:16:50

FIG.11



201050 29EET660

FIG.12

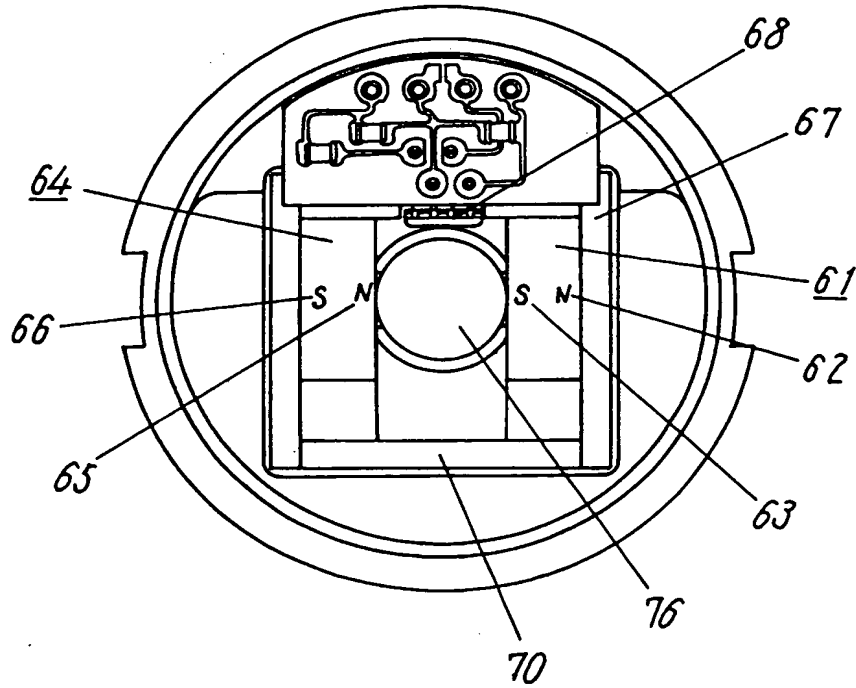
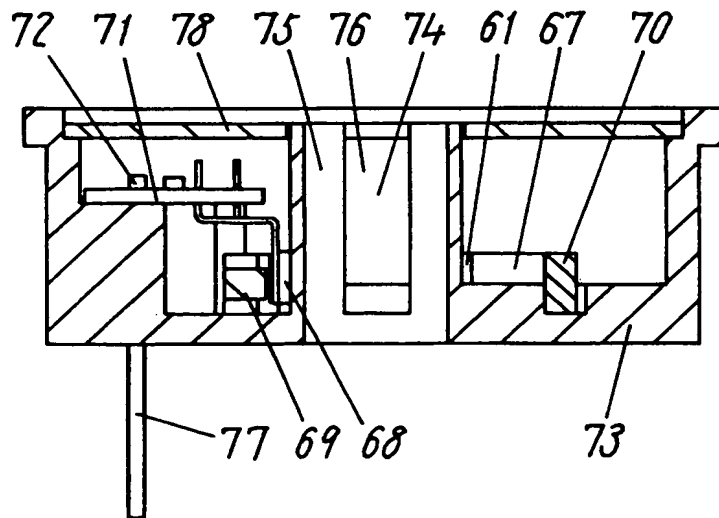
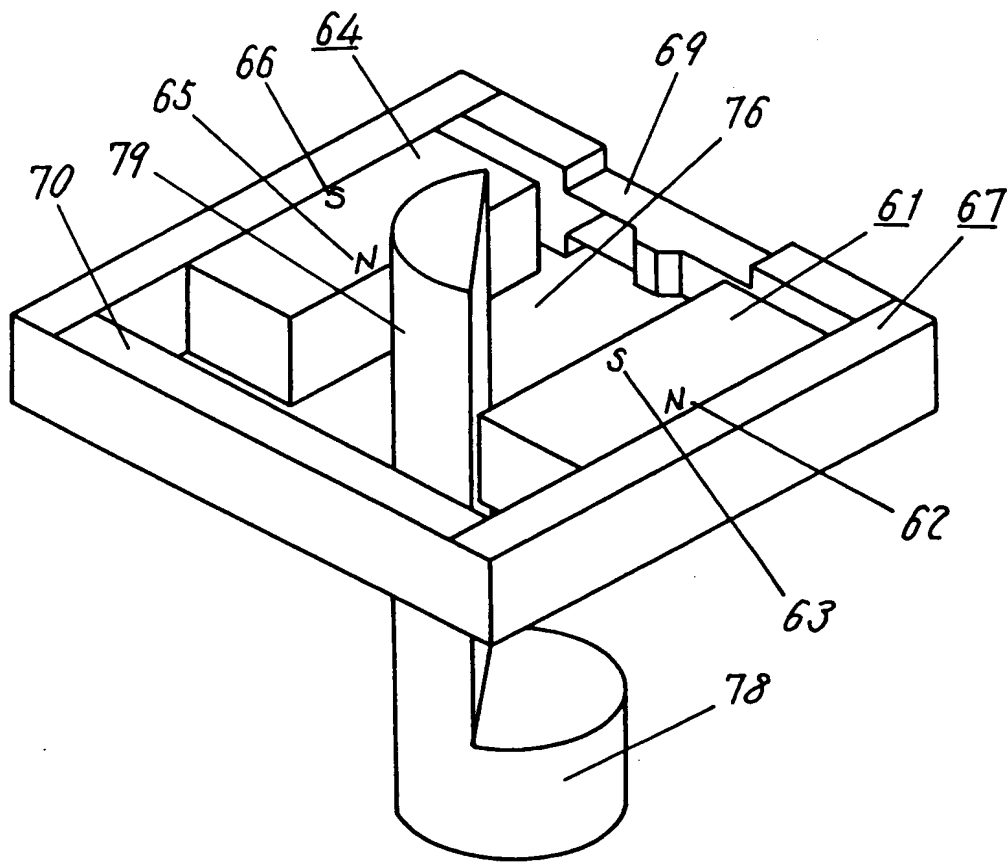


FIG.13



201050-23E1650

FIG.14



20150123EE1650

FIG.15 (a)

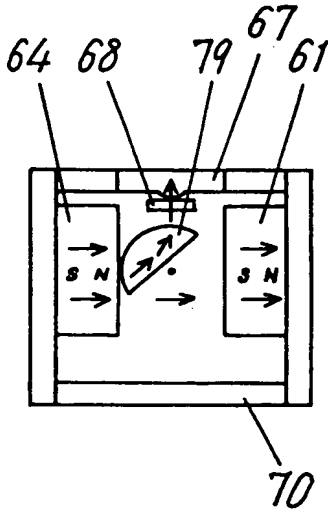


FIG.15 (b)

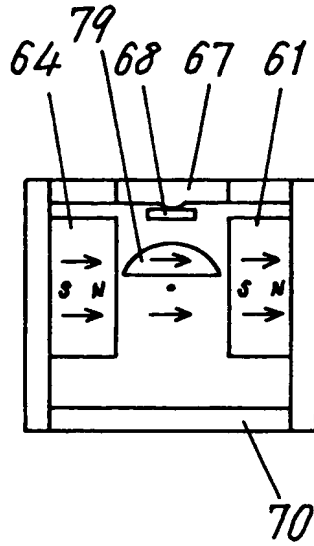


FIG.15 (c)

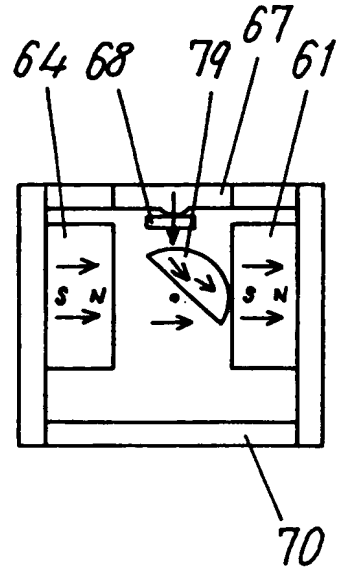


FIG.16

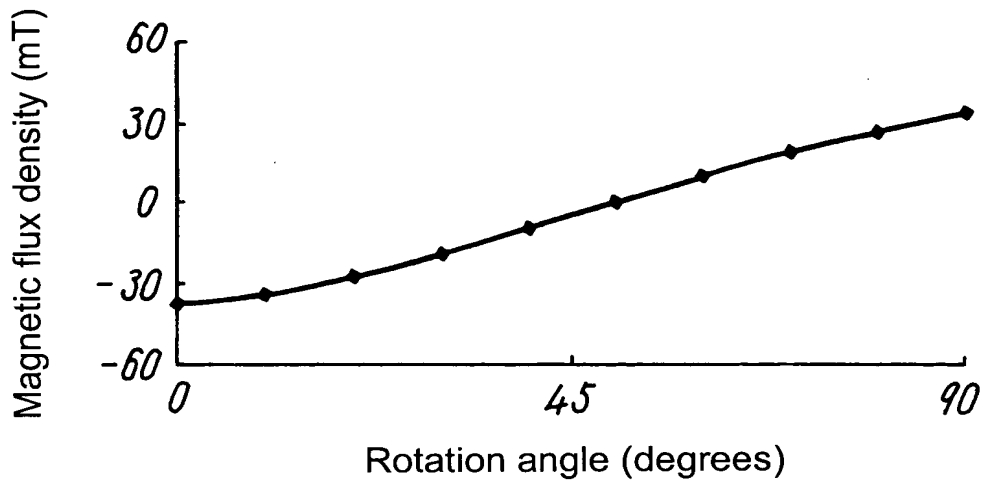
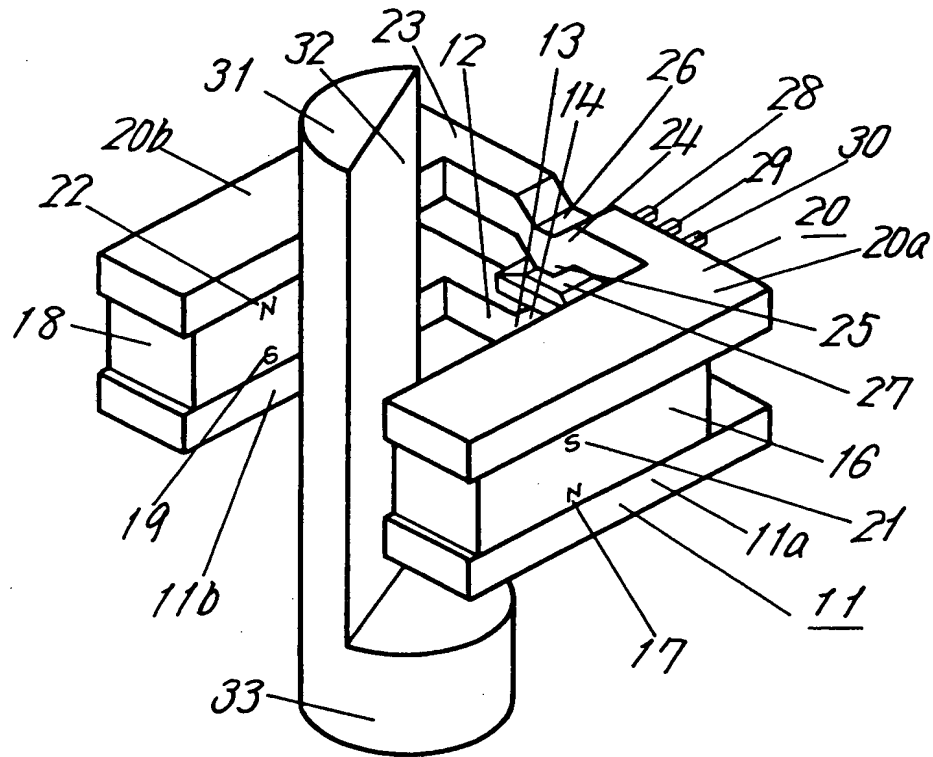


FIG.17



201050-29E1660

201050 20000000

FIG.18 (a)

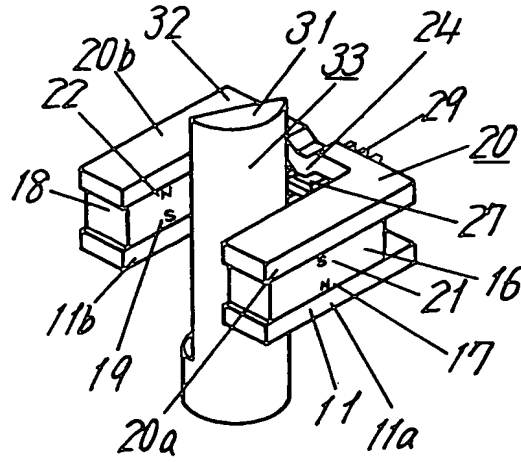


FIG.18 (b)

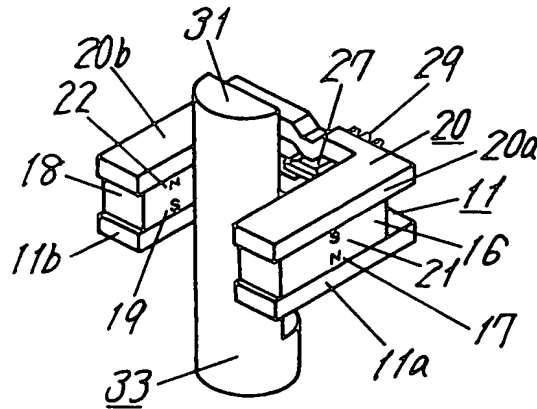


FIG.18 (c)

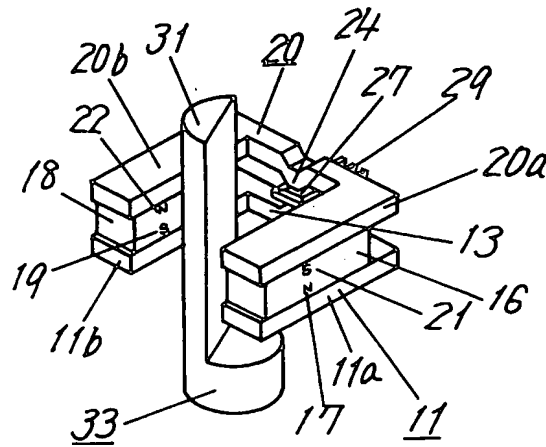
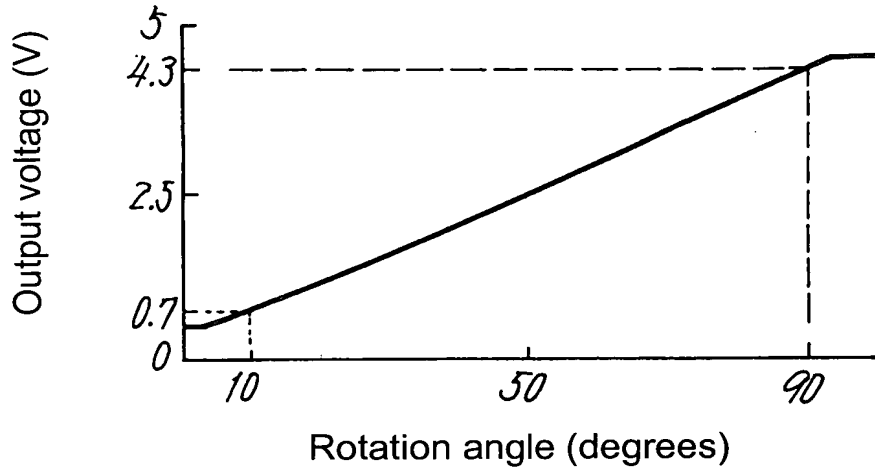
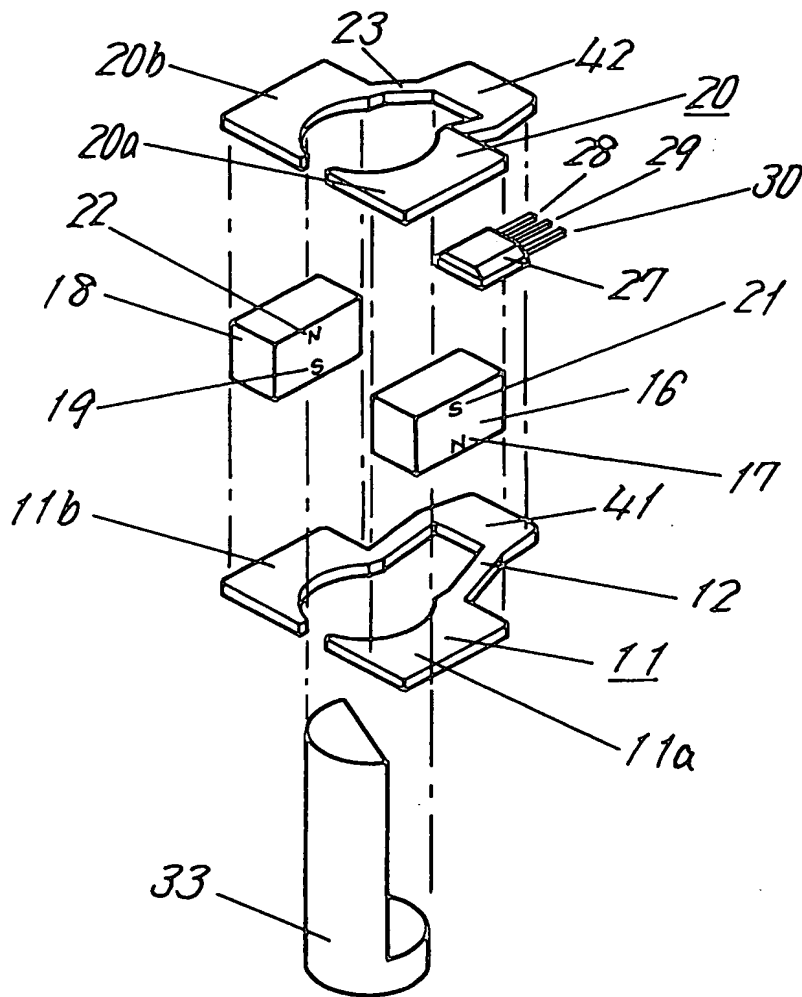


FIG.19



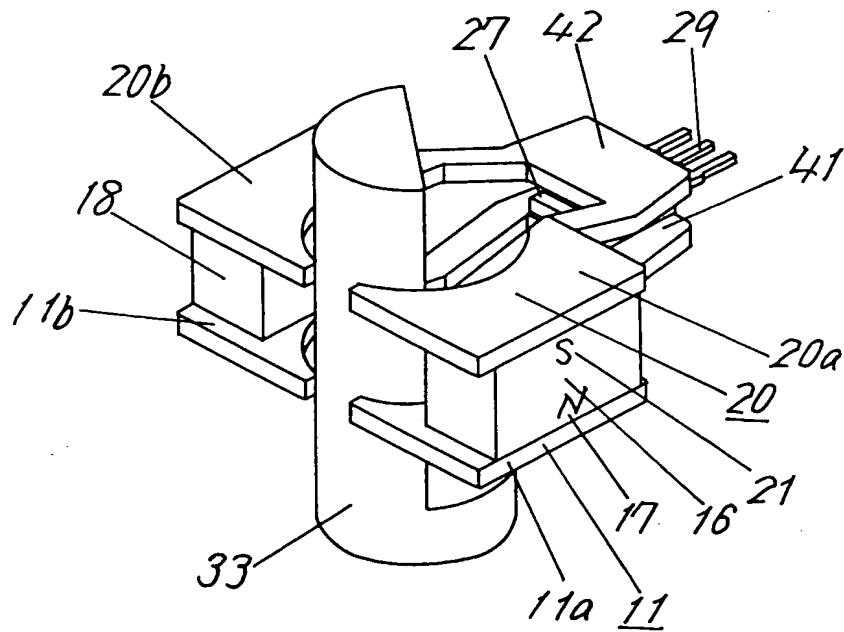
207050-20EET650

FIG.20



201050 201050

FIG.21



201650 201650

FIG.22

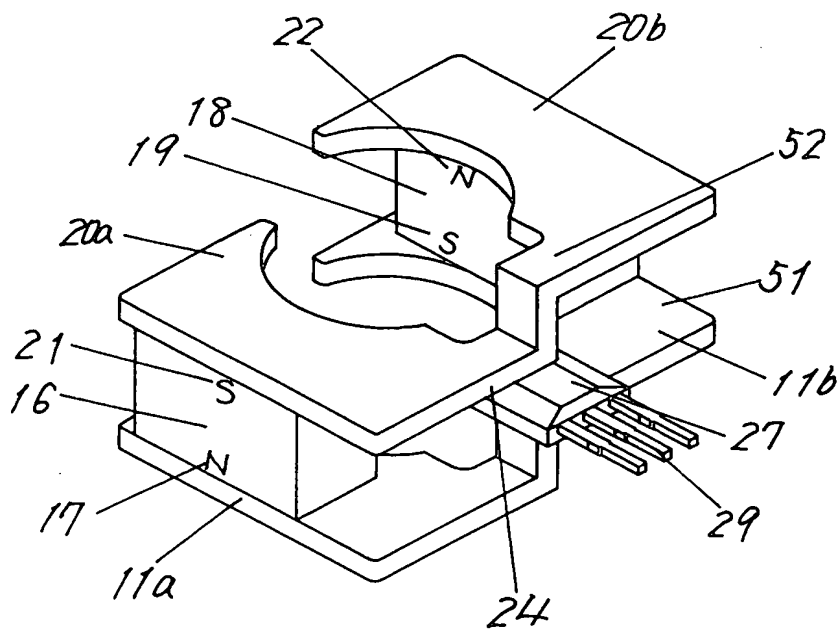
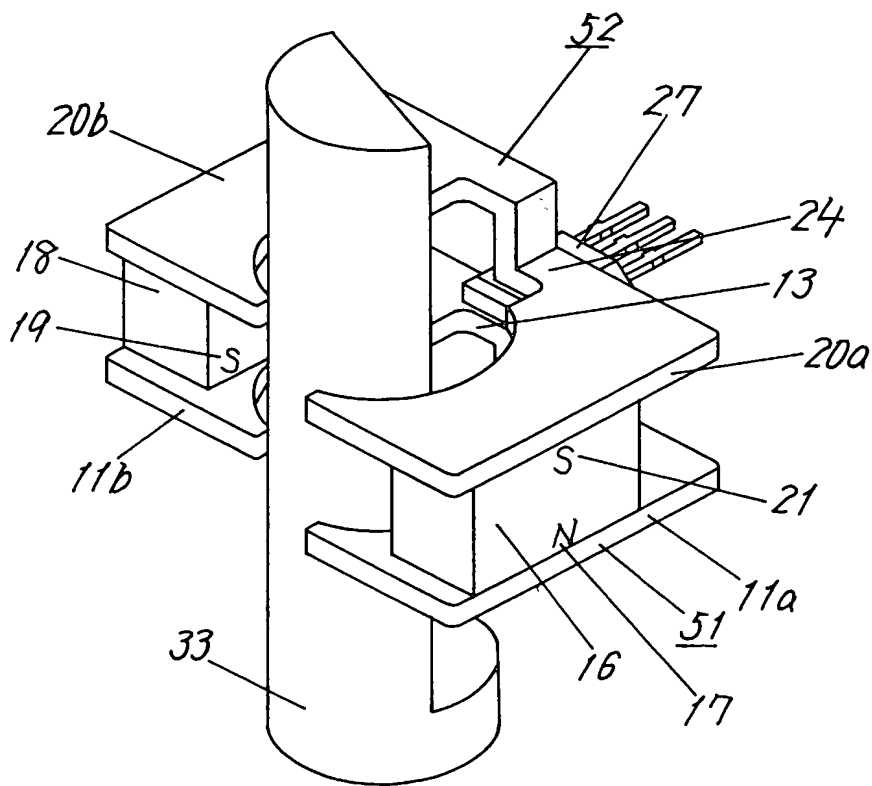


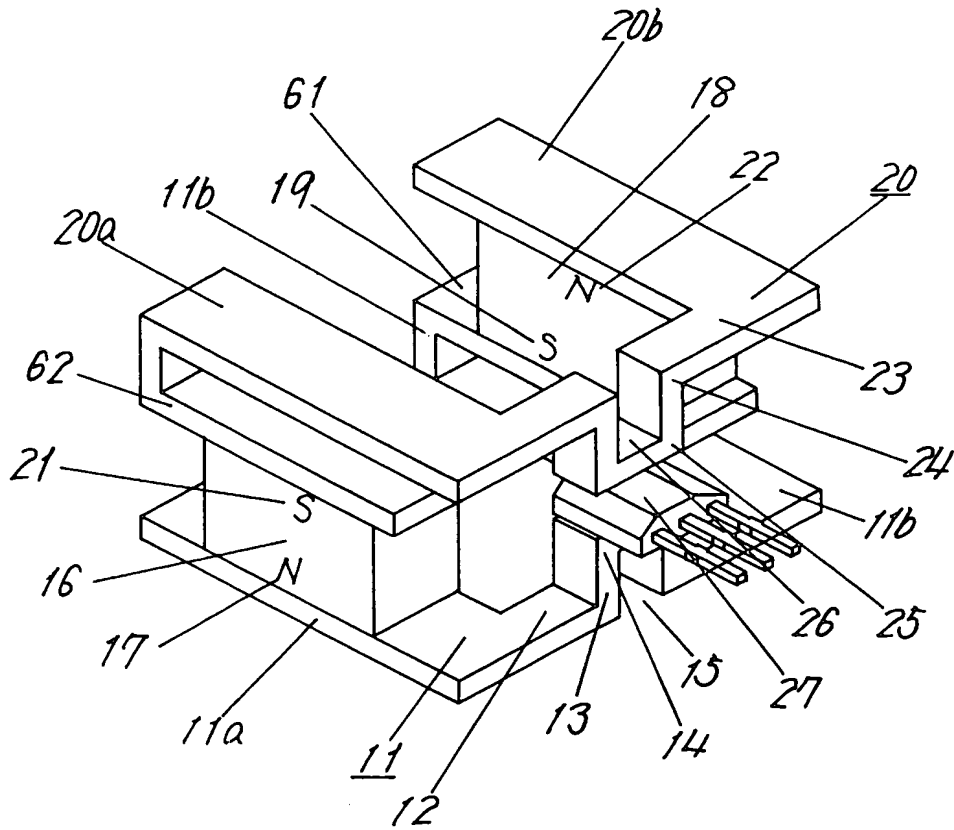
FIG.23



201050-23E150



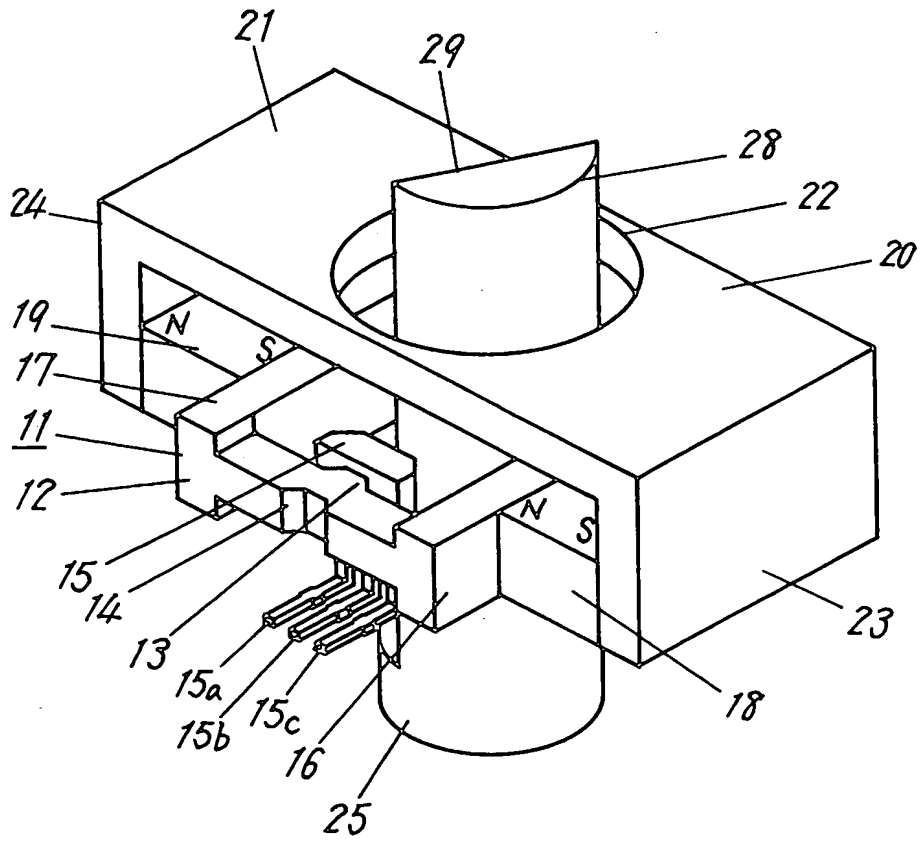
FIG.24



201050-201050



FIG.25



201050 20000000

201050-200000

FIG.26 (a)

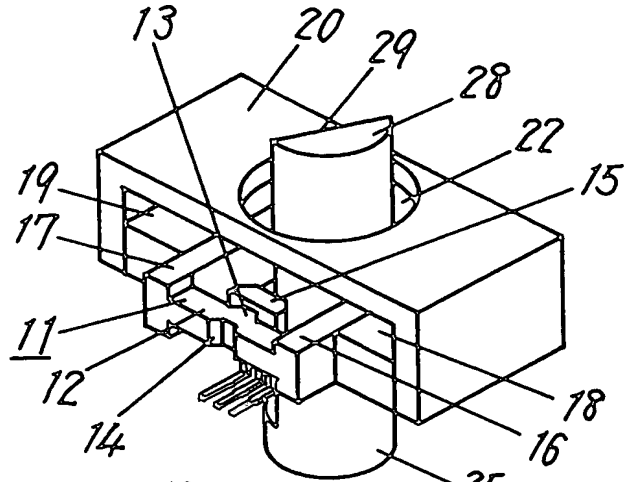


FIG.26 (b)

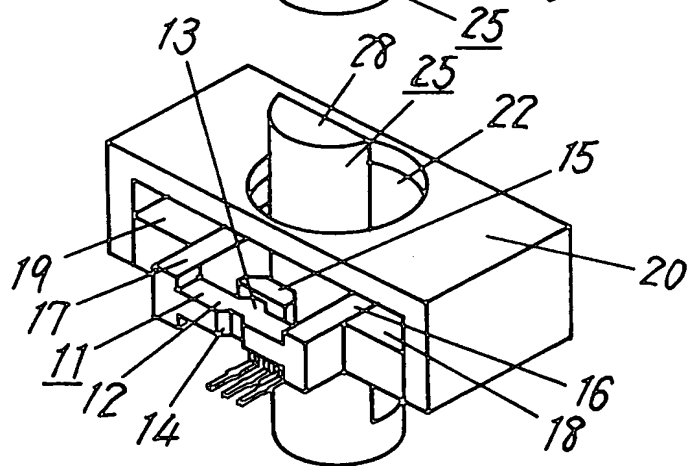


FIG.26 (c)

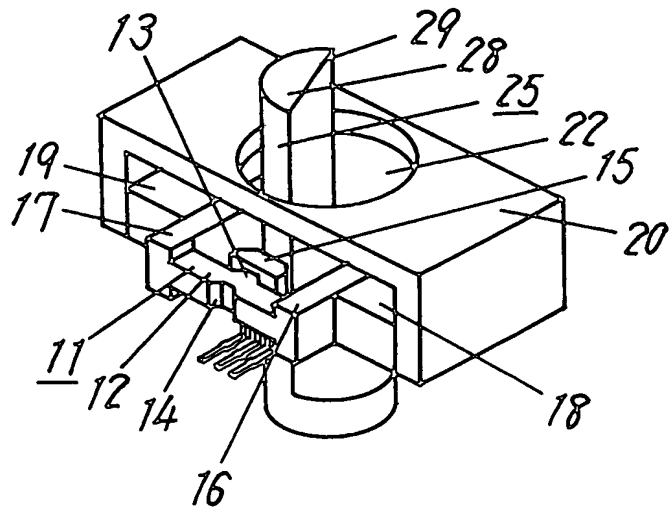
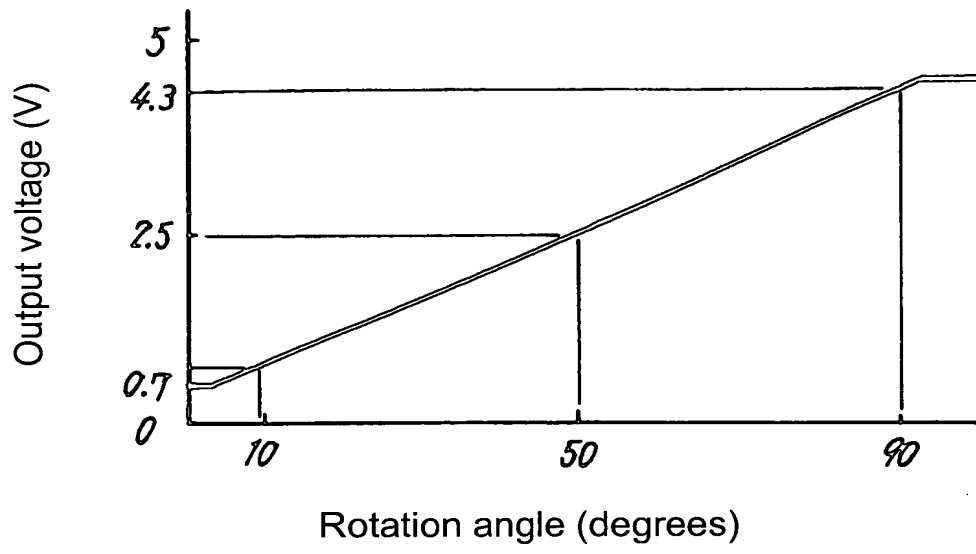


FIG.27



20250723 09:50:00

FIG.28

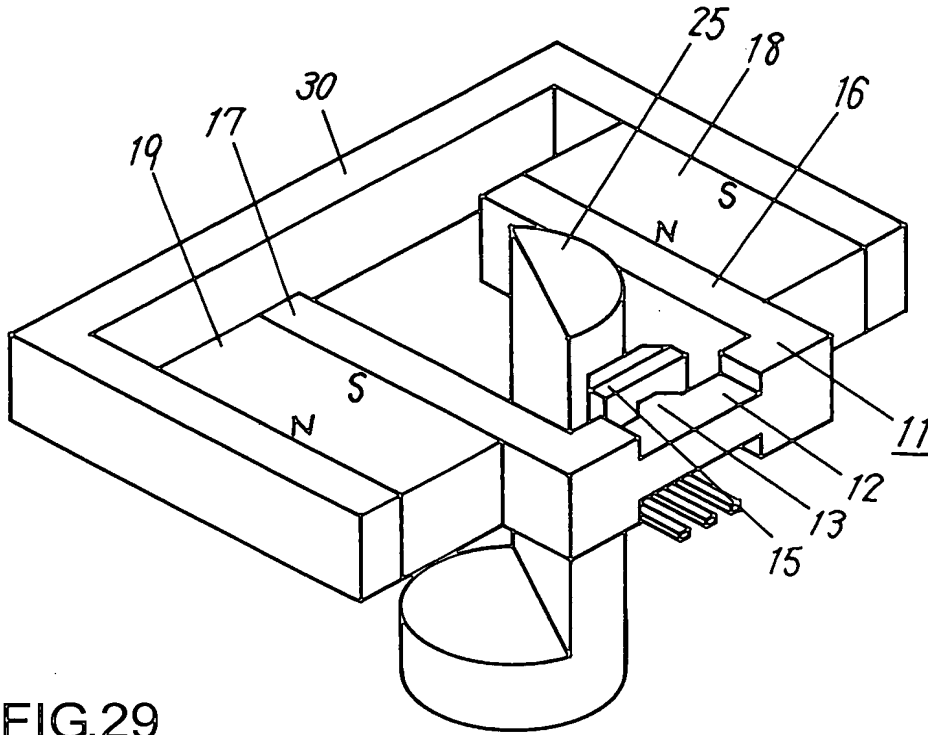
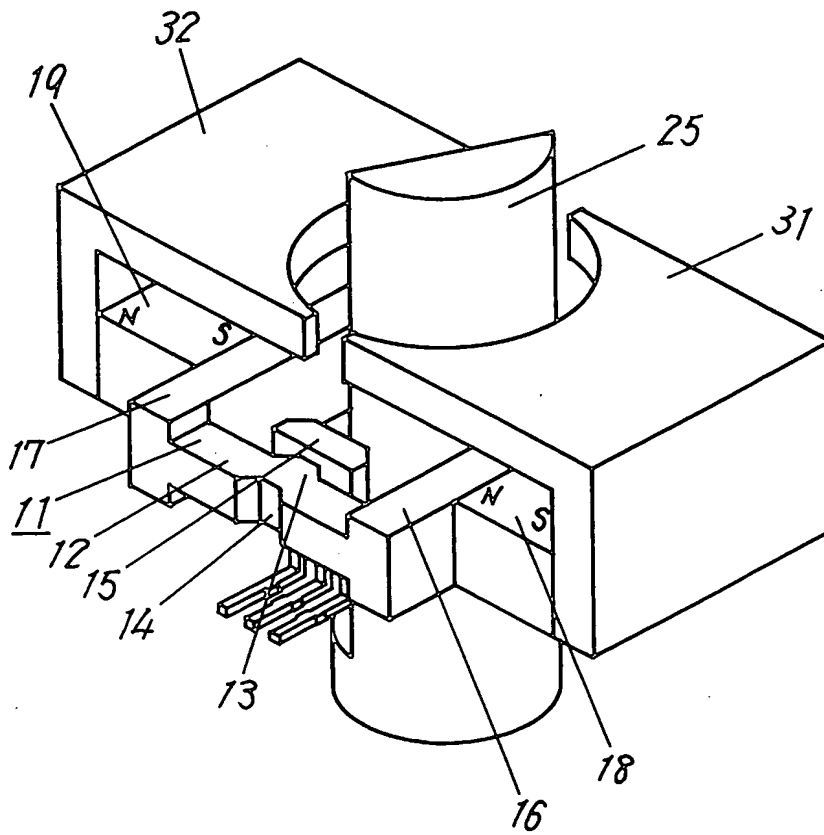


FIG.29



201507-23EEF660



FIG.30

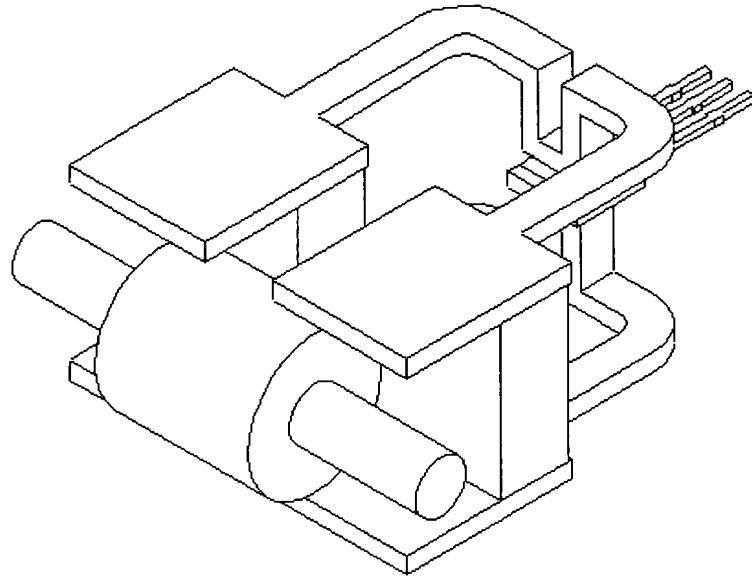
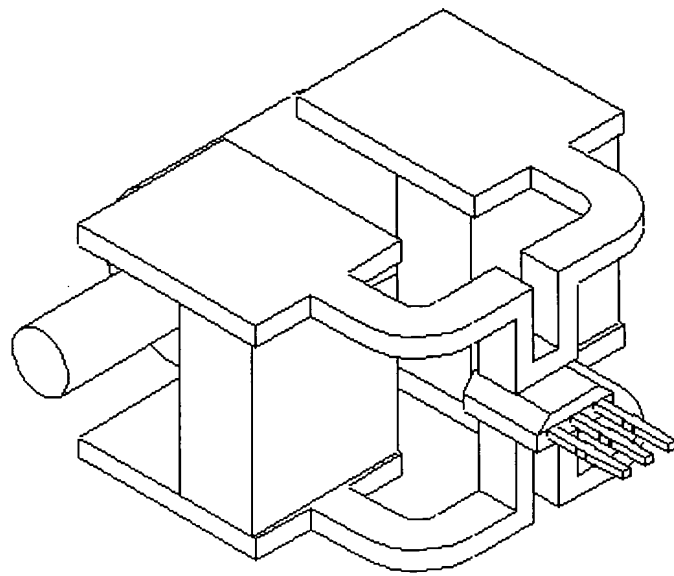


FIG.31



201050 201050

FIG.32 (a)

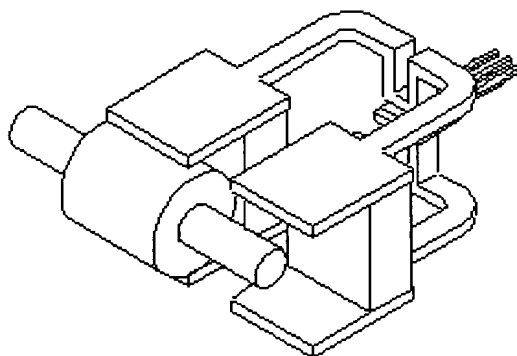


FIG.32 (b)

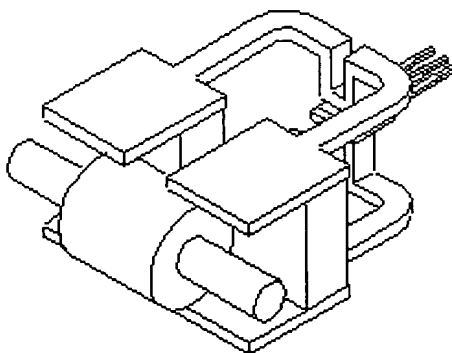
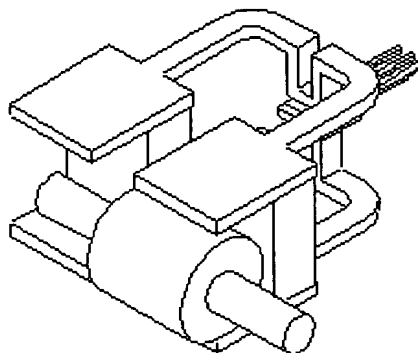
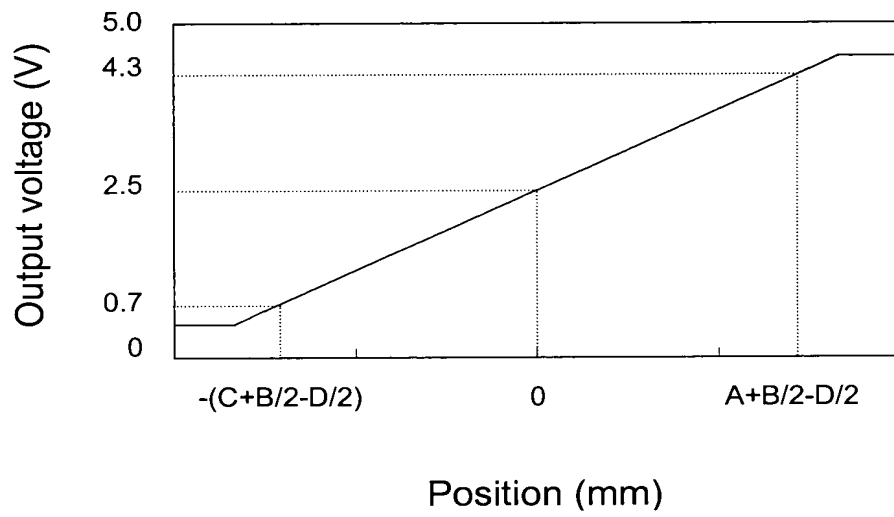


FIG.32 (c)



201501230000000000

FIG.33



2010507 23E F50

FIG.34

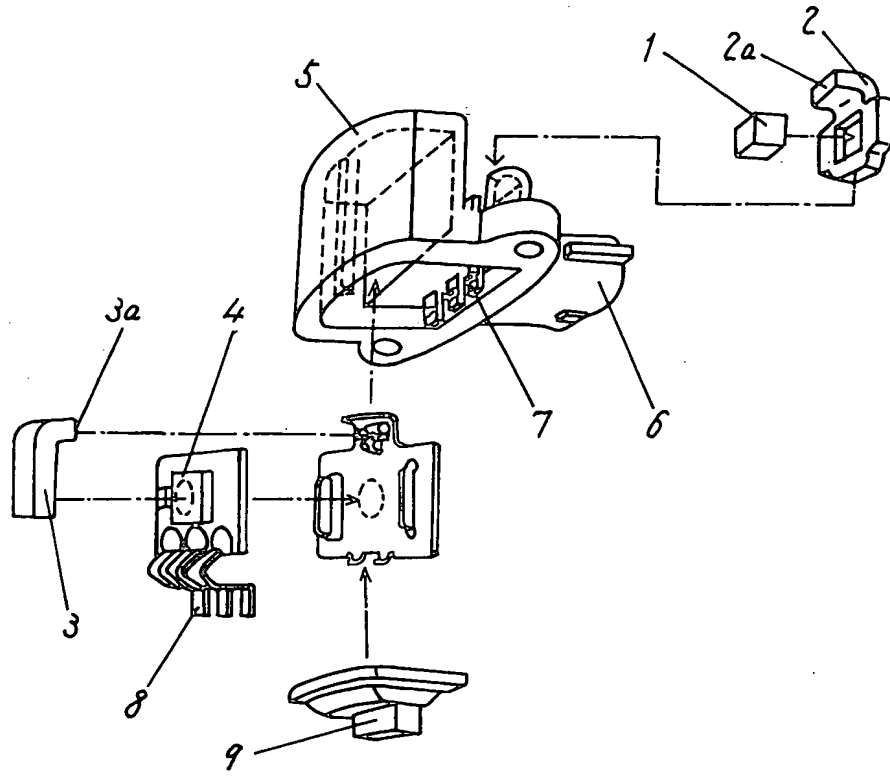
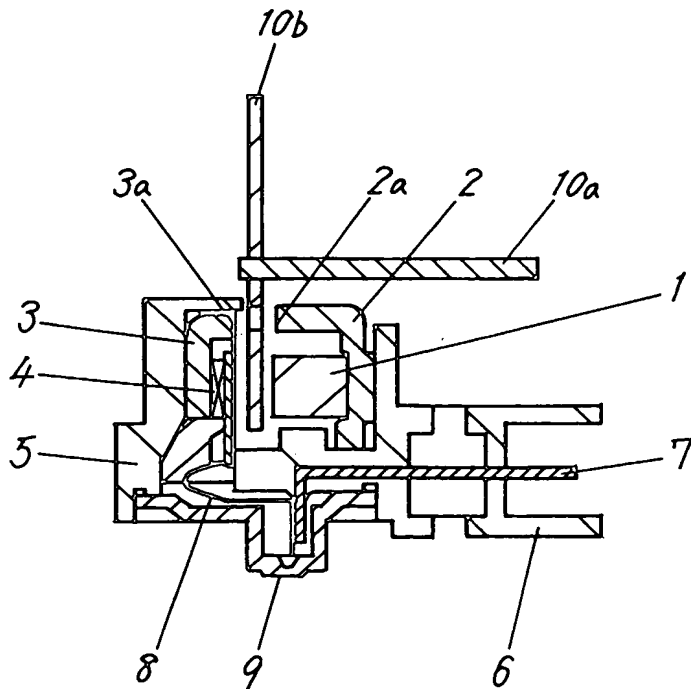


FIG.35



201050 201050

FIG.36 (a)

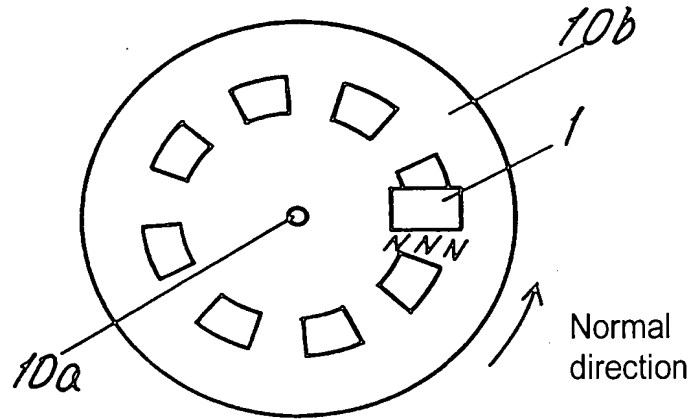
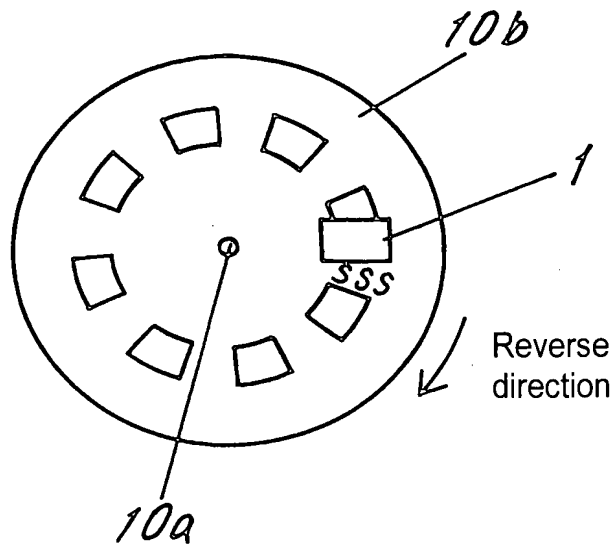


FIG.36 (b)



201050-2000000

Reference numerals

21,41 magnet
22,42,62,65 N-pole
23,43,63,66 S-pole
24,25,44,67 magnetic body
24a,25a,44a,44b tip end
26,45,68 magnetic sensor element
33,53 rotary shaft
34 sector portion
54 I-shaped portion
61 first magnet
64 second magnet
69 intermediate portion
70 reinforcing magnetic body
76 space
111,151 first magnetic body
111a,120a one-side arm
111b,120b another-side arm
112,123 intermediate portion
113,141 first magnetic-detecting portion
114 first projecting portion
115,126 space
116 first magnet
117,122 N-pole
118 second magnet
119,121 S-pole
120,152 second magnetic body
124,142 second magnetic-detecting portion
125 second projecting portion
127 magnetic sensor element
133 object
161,162 magnet supporting member
211 first magnetic body
212 sensor element supporting portion
213 projecting portion
214 recessed portion
215 magnetic sensor element
216 first magnet supporting portion
217 second magnet supporting portion
218 first magnet
219 second magnet

202509 09:55:16

220 reinforcing magnetic body
222 aperture
225 object
231 second magnetic body
232 third magnetic body
311 first magnetic body
311a,320a one-side arm
311b,320b another side arm
312,323 intermediate portion
313 first magnetic-detecting portion
314 first projecting portion
315,326 recessed portion
316 first magnet
317,322 N-pole
318 second magnet
319,321 S-pole
320 second magnetic body
324 second magnetic detecting portion
325 second projecting portion
327 magnetic sensor element
331 object
332 detective section

20150120 20150120